



FAGOR INDUSTRIAL

Catalogue
CATERING

Chapter
COOKING

Model
FT-E910 C L 380...415V 3N

19030699

DIMENSIONS

	Article		Packed	
Lenght	800	mm	840	mm
Depth	930	mm	1022	mm
Height	290	mm	535	mm
Weight	137,000	kg	152,000	kg
Volume	0,283	m3	0,459	m3

ELECTRICITY

Electric power		15,00	kw
Voltage		380...415V -3N	
Three-phase +N 400V wiring		4X4MM2+T	
Frequency		50/60	hz

ELECTRIC FRY-TOP CHROMIUM PLATED, FT-E910 C L

Fry-top plates or hot plates are designed to grill a large amount of products. They are particularly fast and heat is evenly distributed. Thanks to they high power, they reach working temperature in a short time.

Chrome coated plates can be used for any type of food. They are specially recommended for fish and sea food or for fried recipes with egg.

2 mm stainless AISI-304 steel top with rounded edges for easy cleaning. Laser cut and automatic welding for a perfect side to side adjustment of modules with square angle finish.

The hot plate is made of 20 mm thick mild steel.

Hot plate integrated into the embedded top. Easy to clean thanks to the rounded edges and embedded construction. Minimum edge radio 3.5 mm for easier cleaning.

Plate and lodging made according to EN-202-3 standard for materials in contact with food.

The plate is slanted forward for an easier collection of fat and liquids.

Fitted with a cooking fat drainage hole and removable collecting tray. Smooth plate surface.

50 micron thick chrome coated plate.

Chrome surface stops food flavour to be transferred from one type of food to another.

The chromed surface maintains the temperature and prevents heat irradiation and dispersion. This reduces cooking time, temperature recovery time and improves the working environment conditions.

Useful heating surface: 47 dm². Dimensions: 735 x 640 mm.

Heating by two groups of shielded stainless steel electrical resistances.

The independent control knob for each resistance group allows to work with half or the whole plate.

Thermostat for temperature control (between 100 and 300°C).

The thermostat control allows a more accurate adjustment of the plate cooking temperature for each type of product.

Safety thermostat.

Optional three-piece anti splash removable shields for easy cleaning.

Water-tight and protecting-support controls.

High temperature protector for the chimney made of enamelled cast iron.

Front access to components.

According to European standards for components and panels temperature, efficiencies and combustion, and sanitary regulations (EN-60335 and EN-203)

IPX5 grade water protection equipment.



FAGOR INDUSTRIAL

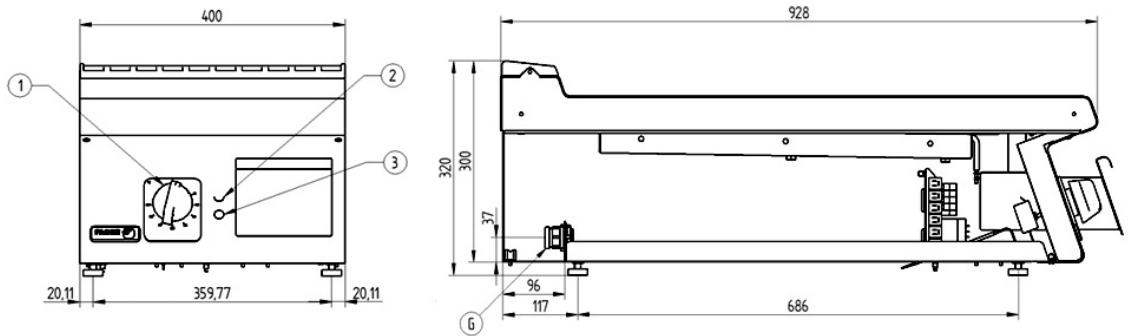
Catalogue
CATERING

Chapter
COOKING

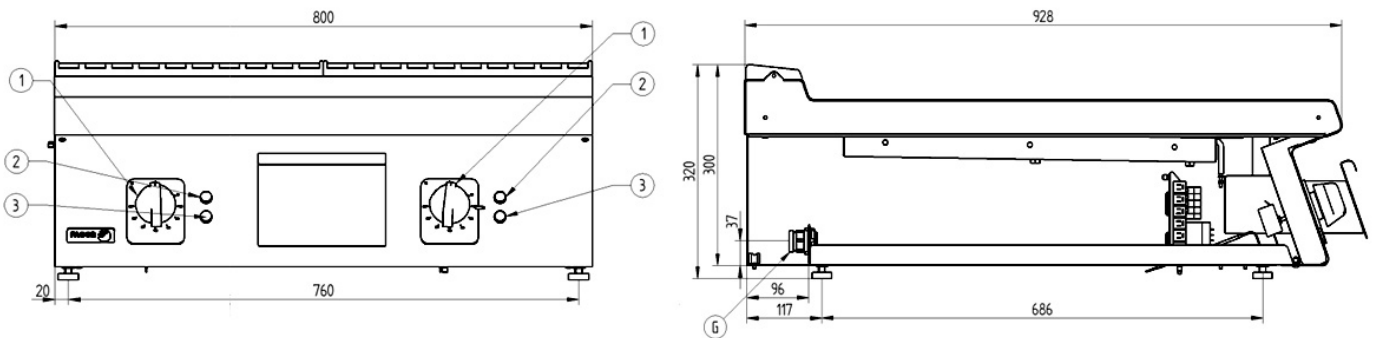
Model
FT-E910 C L 380...415V 3N

19030699

FT-E905



FT-E910



- G. Conexión eléctrica**
 1. Mando termostato
 2. Piloto verde
 3. Piloto ambar

- Electrical connection**
 Thermostat control
 Green pilot
 Ambar pilot